

Optical Fiber Distribution Box

TECHNICAL DATA SHEET

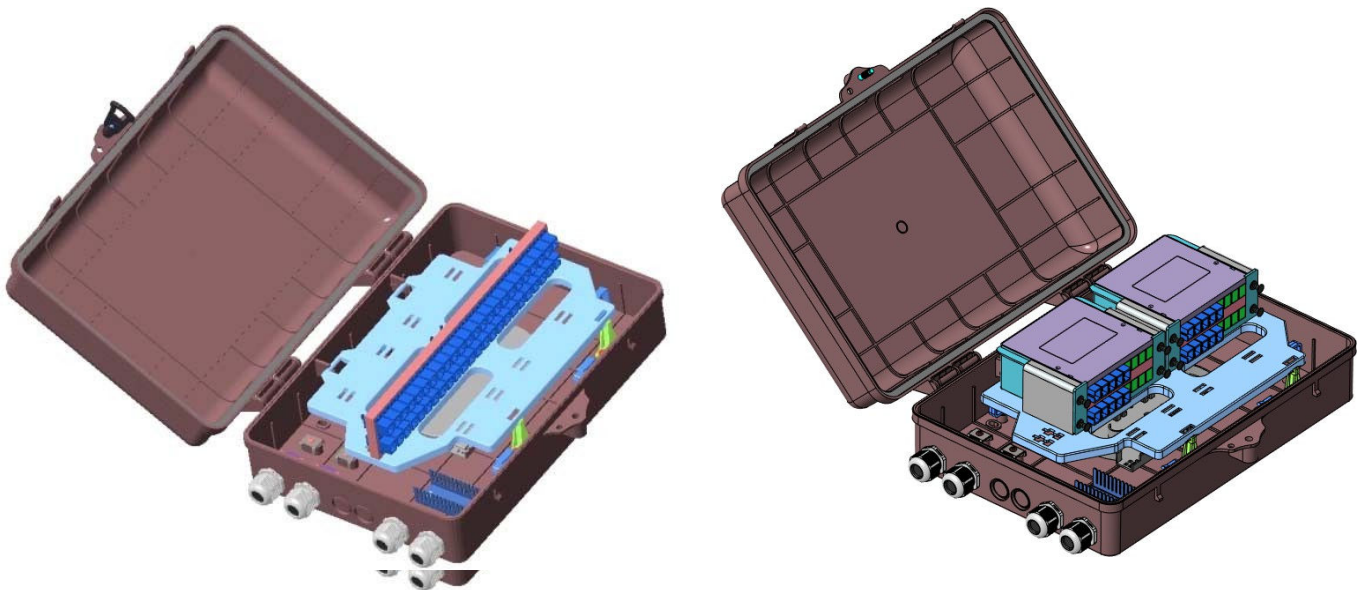
**48 Fiber Optic Termination Box -
Plastic ABS - Outdoor IP66, UV &
Rainfall Resistant - Wall Mounting and
Pole Mounting Application**



48 Fiber Optic Termination Box -Plastic ABS - Outdoor IP66, UV & Rainfall Resistant - Wall Mounting and Pole Mounting Application

Description:

FLOFLBABSIP6648 is a plastic box that load PLC 1*8 or 1*16 splitter cassette or fiber optic adapter for fiber distribution and connection. It made of ABS plastic, suitable for outdoor wall mounted application. Its max. Capacity is 48 fibers.

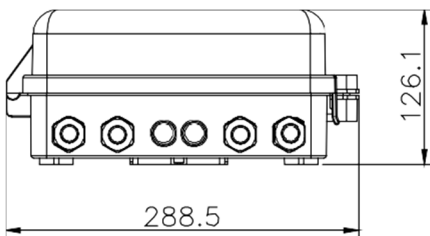


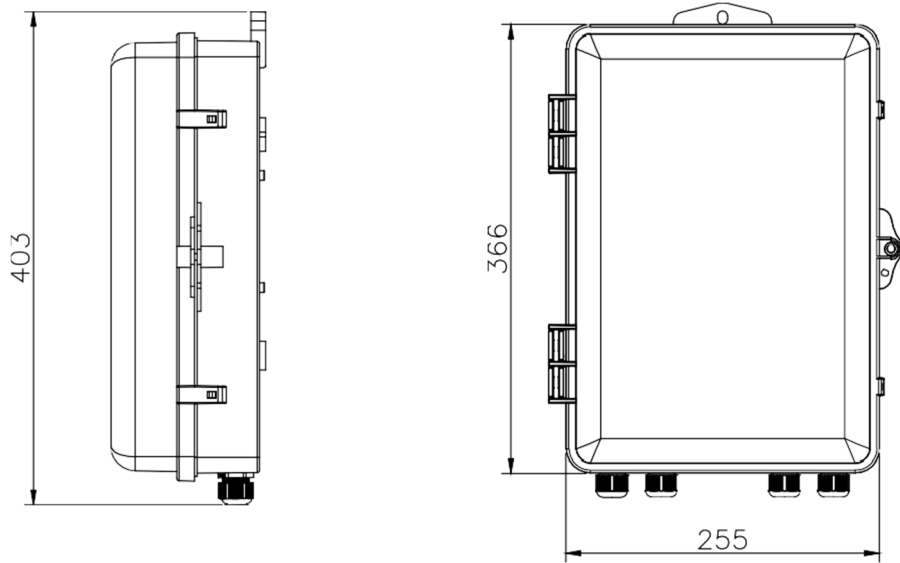
Features:

- ABS plastic material
- White or black color Mechanical sealing structure Waterproof, IP65
- Cable port: 4pcs cable gland PG16 suitable for Φ 10-14mm cable entry, and 2pc Φ 20mm reserved hole. With 2pc OST-048 splice tray, max. 48 fibers
- Can load 4pcs 1x8 or 2pc 1x16 splitter cassette or 1pc 48 SC simplex adapter plate Outdoor wall mounted application

Specification:

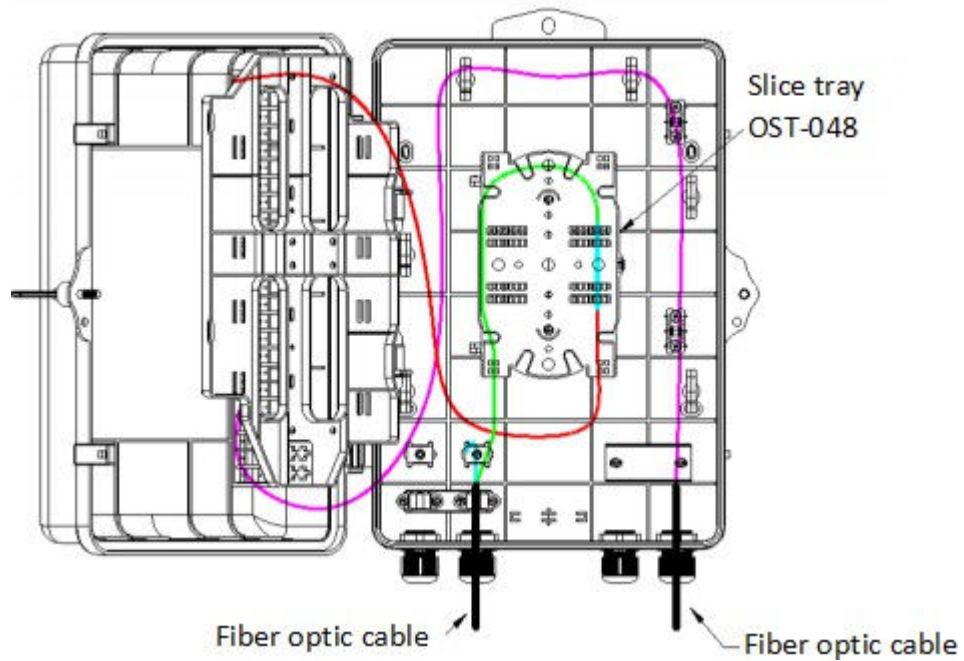
Model	Dimension	Material	Capacity	Splitter cassette	Application
FLOFLBABSIP66 48	288.5x403x126.1mm	ABS	48 fibers	4pcs 1*8 or 2pc 1*16	Outdoor wall mounted

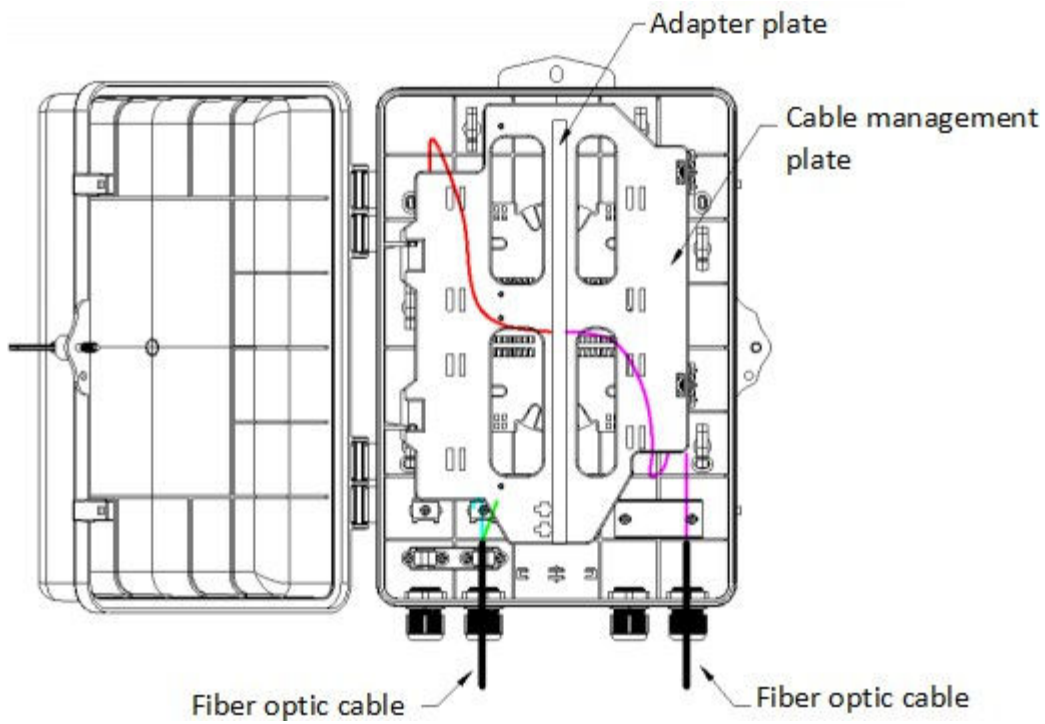




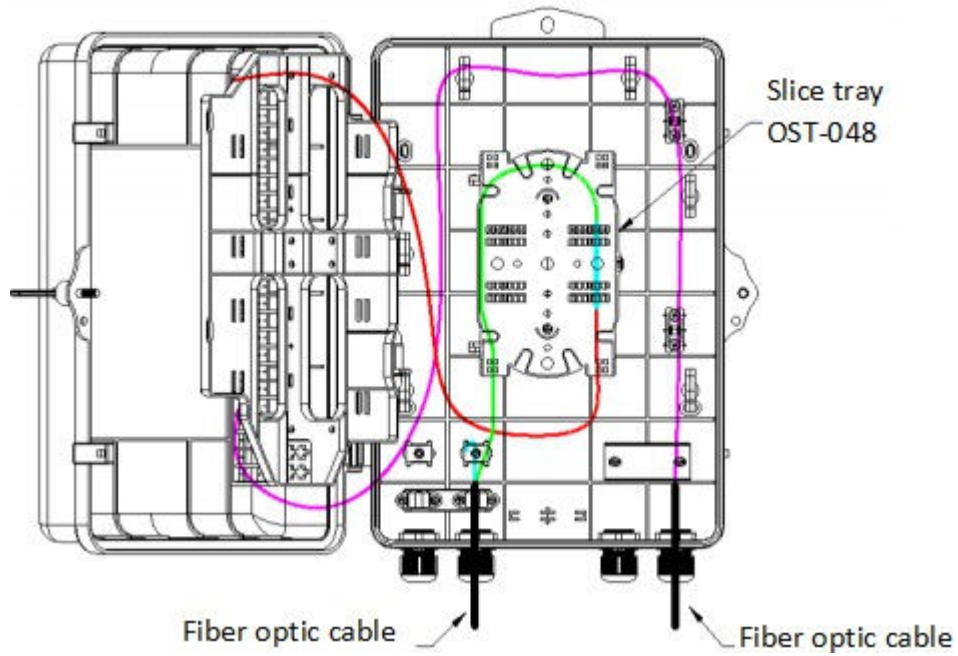
Instructions:

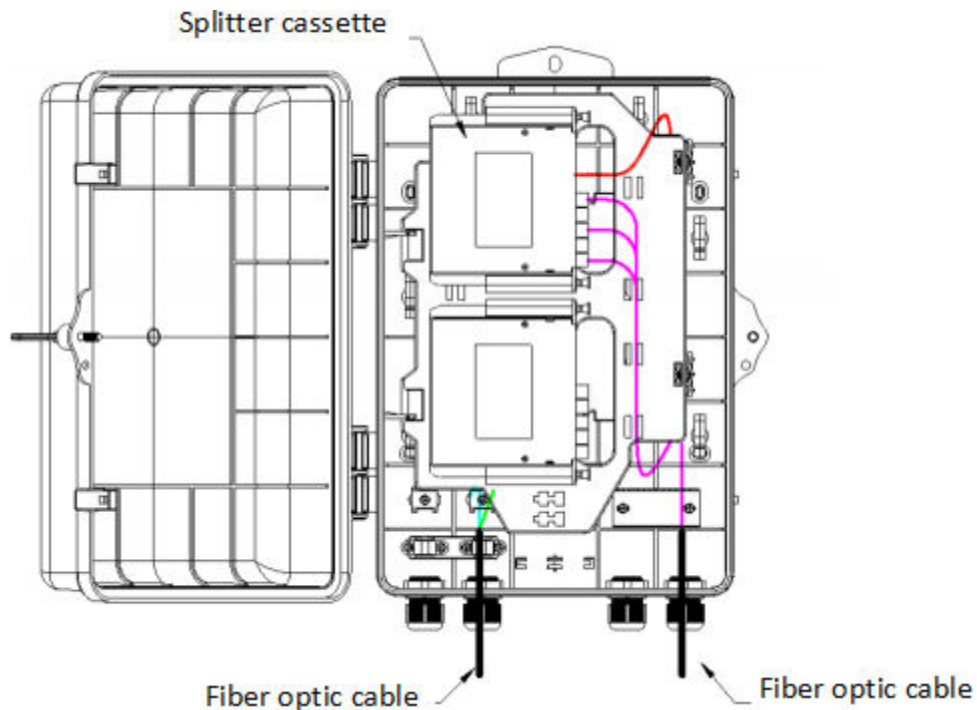
1. Install adapter and pigtail





2. Install splitter cassette





Accessories:

Item	Specification	Qty
Heat shrinkable protection sleeve	60x2.6x1.2mm	As per capacity
Cable tie	3*100mm, white color	6pcs
Screws	C type 5*40, metal	4pcs
Plastic expansion pipe	Φ8*40mm, white color	4pcs
Key	ABS plastic, white color	1pc