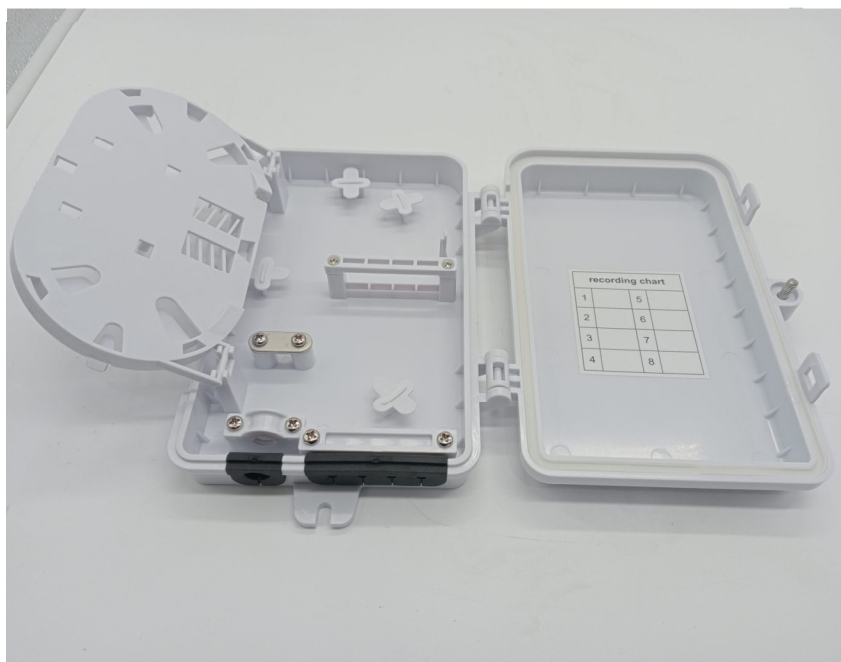


## Optical Fiber Distribution Box

### TECHNICAL DATA SHEET

#### 4 Fiber Optic Termination Box -Plastic ABS - Outdoor IP66, UV & Rainfall Resistant - Wall Mounting and Pole Mounting Application



## **4 Fiber Optic Termination Box -Plastic ABS - Outdoor IP66, UV & Rainfall Resistant - Wall Mounting and Pole Mounting Application**

### **Description:**

FLOFLBABSIP6604 is a FTTH fiber optic terminal box that can load 4pcs adapter and 1pc PLC 1:4 splitter for fiber splicing and distribution.



### **Features:**

- ABS plastic, light weight
- Reasonable design for fiber arrangement, bend radius more than 30mm
- Suitable for 1pc 4 way splitter or 1pc 8 way splitter with LC connector (Steel tube type)

**Parameters:**

Op. temperature:  $-5^{\circ}\text{C}+40^{\circ}\text{C}$

Relative humidity:  $\leq 90\%(+30^{\circ}\text{C})$

Atmospheric pressure: 70Kpa-106Kpa

Storage Temperature:  $-40^{\circ}\text{C}+70^{\circ}\text{C}$

Optical parameter: Insertion loss  $\leq 0.3\text{dB}$ ;

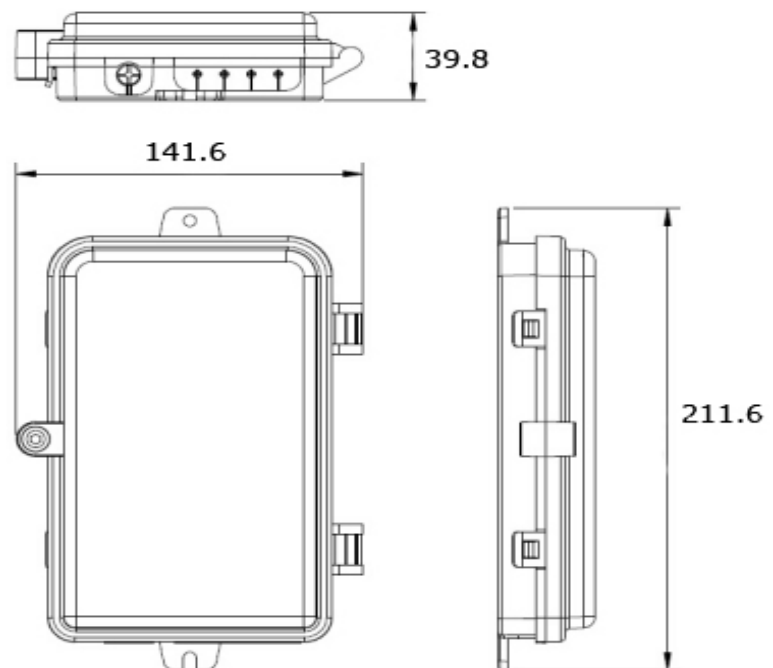
Excess loss:  $\leq 0.2\text{dB}$ ;

Return loss  $\geq 50\text{dB}$

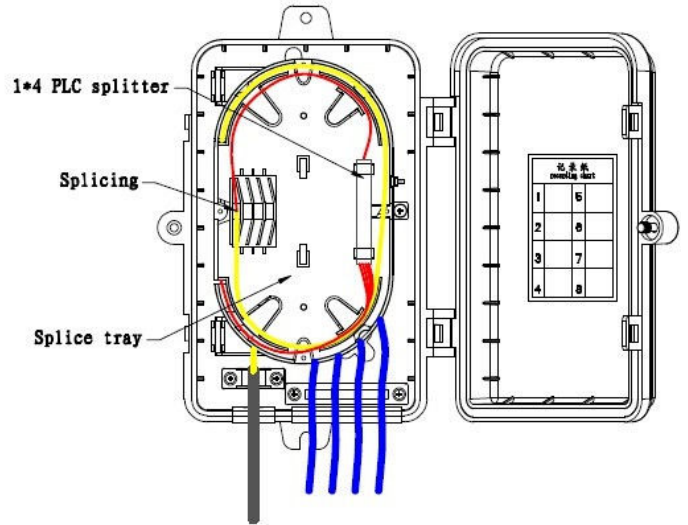
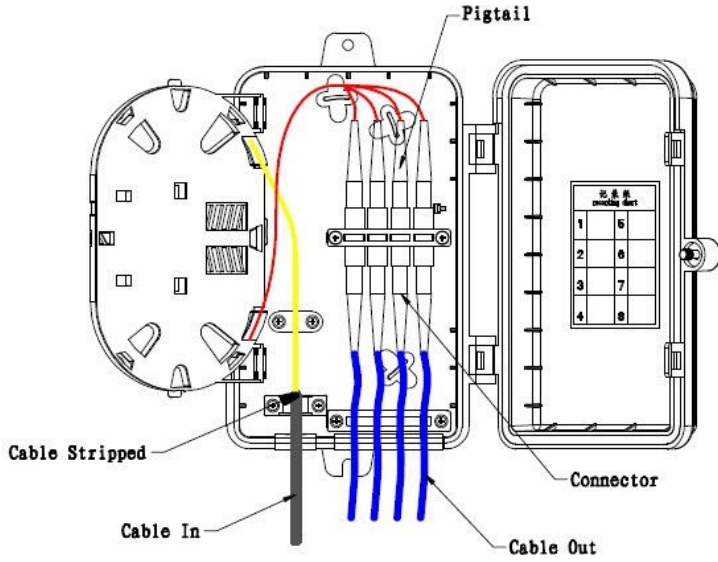
IP standard: IP66

**Dimension(mm):**

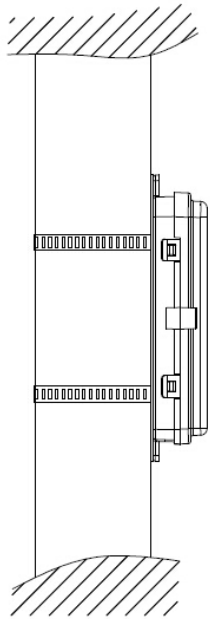
Pic.1



Using instruction drawings:



Pic.2



poled mounted

## Accessories:

Item	Part name	Description	Unit	Qty	Remark
1	Fiber optic terminal box	Model: OTB-C04-A	set	1	<b>Wall mounted accessory is standard. Pole mounted accessory is optional.</b>
2	PLC Splitter	PLC-1X4SC or PLC-1X8LC	set	1	<b>Optional</b>
3	Fiber optic adapter	SC/PC or LC/PC/DX	set	4	<b>Optional</b>
4	<b>Pole mounted</b>		<b>set</b>	<b>1</b>	<b>Optional</b>

## Packing information:

Item	Size(CM)	Unit	Qty	Weight(KG)
1	50X48X31	PCS	30	11.3